

STEINER

LT300S-MR

3 Tonne Mid Rise Single Phase Scissor Lift



**MID RISE SCISSOR HOIST
COMPACT AND PORTABLE**



Ideal for:

Tyre shops and workshops that carry out suspension, braking and tyre work.

Features:

- › The LT300S-MR can be transported and set up in different locations as needed, providing excellent flexibility and convenience with the included portability kit.
- › Hydraulic lock system & torsion bar connecting for synchronization ensures smooth and lifting and lowering of the platform.
- › Designed and manufactured to CE standard: 2010 version EN1493 ensuring high quality, durability, and safety.
- › Adjustable approach ramps can quickly extend the length of platform to 2045mm.
- › Mid-rise scissor lift, maximum lifting height 1020mm.
- › Minimum height 110mm: With a minimum height of 110mm, ideal for applications that require a low clearance.

OUR PROMISE:
100
ONE HUNDRED DAYS
100% SATISFACTION

If you are not 100% satisfied with your equipment, Treadway Equipped will repair, replace or refund the equipment free of charge within the first 100 days.

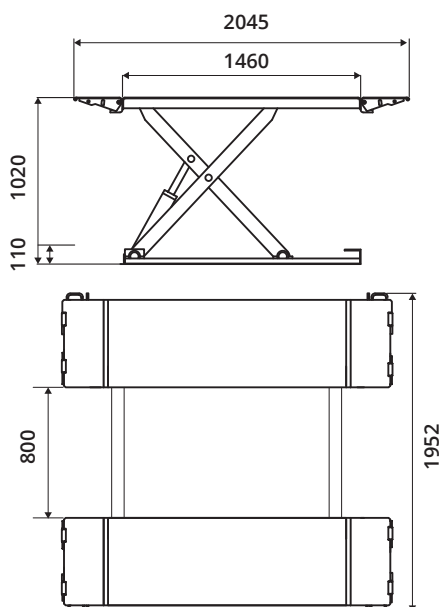
LT300S-MR

3 Tonne Mid Rise Single Phase Scissor Lift



Features:

- › The LT300S-MR can be transported and set up in different locations as needed, providing excellent flexibility and convenience with the included portability kit.
- › Hydraulic lock system & torsion bar connecting for synchronization ensures smooth and lifting and lowering of the platform.
- › Designed and manufactured to CE standard: 2010 version EN1493 ensuring high quality, durability, and safety.
- › Adjustable approach ramps can quickly extend the length of platform to 2045mm.
- › Mid-rise scissor lift, maximum lifting height 1020mm.
- › Minimum height 110mm: With a minimum height of 110mm, ideal for applications that require a low clearance.



SPECIFICATIONS

Lifting capacity	3000kg
Overall length	2045mm
Runway length	1460mm
Max lifting height	1020mm
Min lifting height	110mm
Lifting time	23 sec
Overall width	1952mm
Width between runways	800mm
Gross weight	560kg
Motor	3.0HP

LT300S-MR

3 Tonne Mid Rise Single Phase Scissor Lift

Ideal for dealerships and workshops that need a reliable hoist that fits into narrow bays.

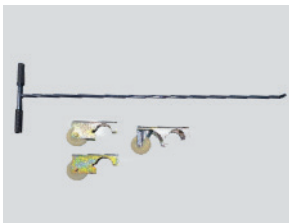
Design & safety



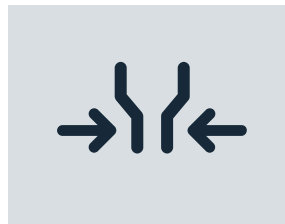
› **Safety**
Designed and manufactured to CE standard: 2010 version EN1493 ensuring high quality, durability, and safety.



› **Hydraulic Lock System**
Hydraulic lock system & torsion bar connecting for synchronization ensures smooth and synchronized lifting and lowering of the platform.



› **Portability kit Included**
Included portability kit allows for the lift to be transported and set up in different locations as needed, providing flexibility and convenience.



› **Well suited to narrow bays**
1952mm total width and external control box allows for flexible utilisation of unused workshop space.



› **Control box**
Simple operation.



› **Accessories**
38mm and 75mm height rubber pads included as standard supply.

OUR PROMISE TO YOU

We are committed to customer satisfaction.

All our projects are covered by our 100 Promise.

OUR PROMISE:

100

ONE HUNDRED DAYS
100% SATISFACTION

If you are not 100% satisfied with your equipment, Treadway Equipped will repair, replace or refund the equipment free of charge within the first 100 days.



OUR PROMISE:

100

ONE HUNDRED DAYS
100% SATISFACTION

If you are not 100% satisfied with your equipment, Treadway Equipped will repair, replace or refund the equipment free of charge within the first 100 days.

0800 436 436
treadwayequipped.co.nz